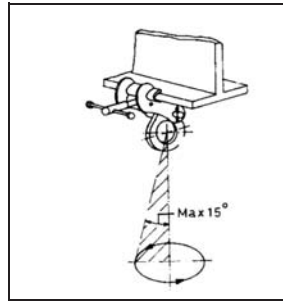


# Crosby IP Lifting Clamps - Application Information

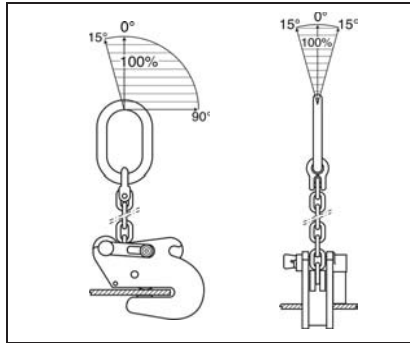
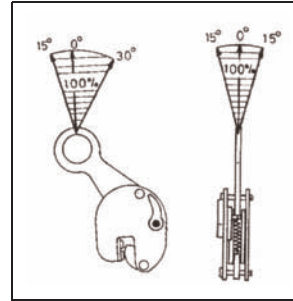
Application Information provided here is for use by experienced trained user of lifting clamps. For additional information, consult Crosby IP clamp operators manual provided with clamp, or contact The Crosby Group, Inc.

## Beam Clamps

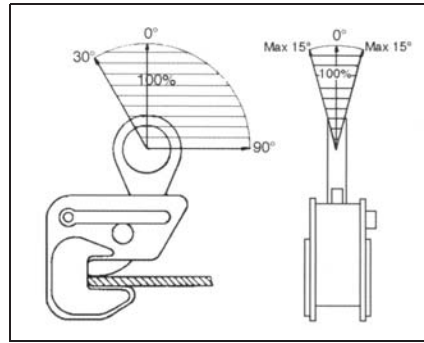
IPTK



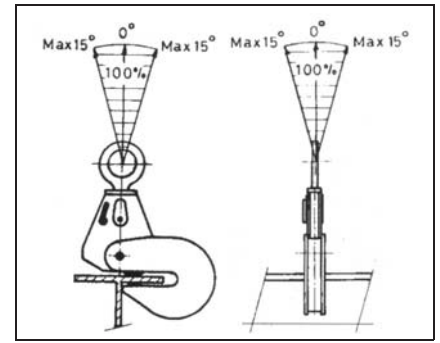
IPBKZ



IPSTARTEC11

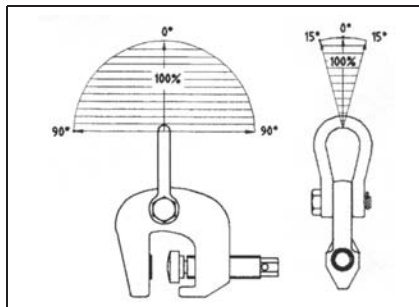


IPBHZ

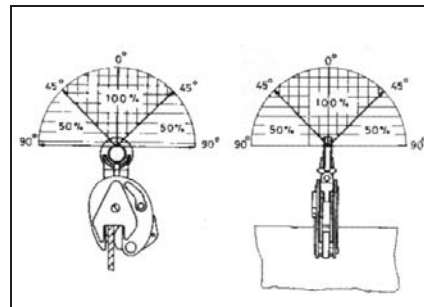


IPBSNZ

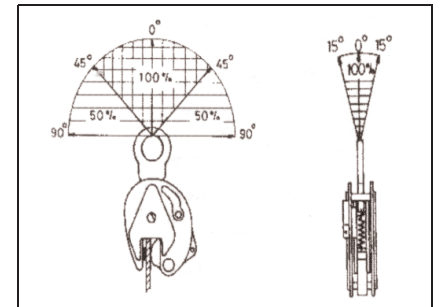
## Specialty Clamps



IPSC

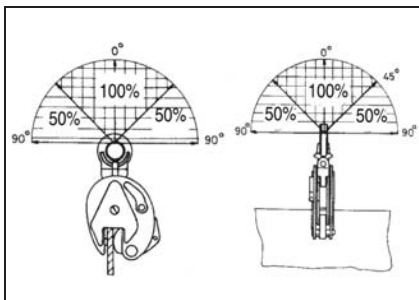


IPVUZ

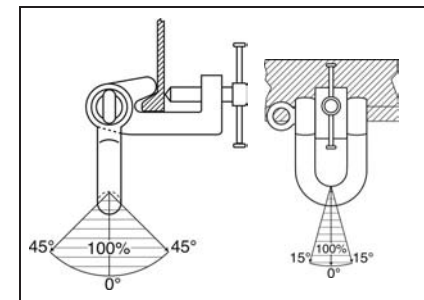


IPVZ

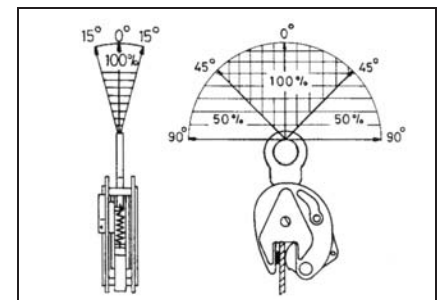
## Shipbuilding Clamps



IPSBU(U)Z



IPBT010



IPBU(U)Z